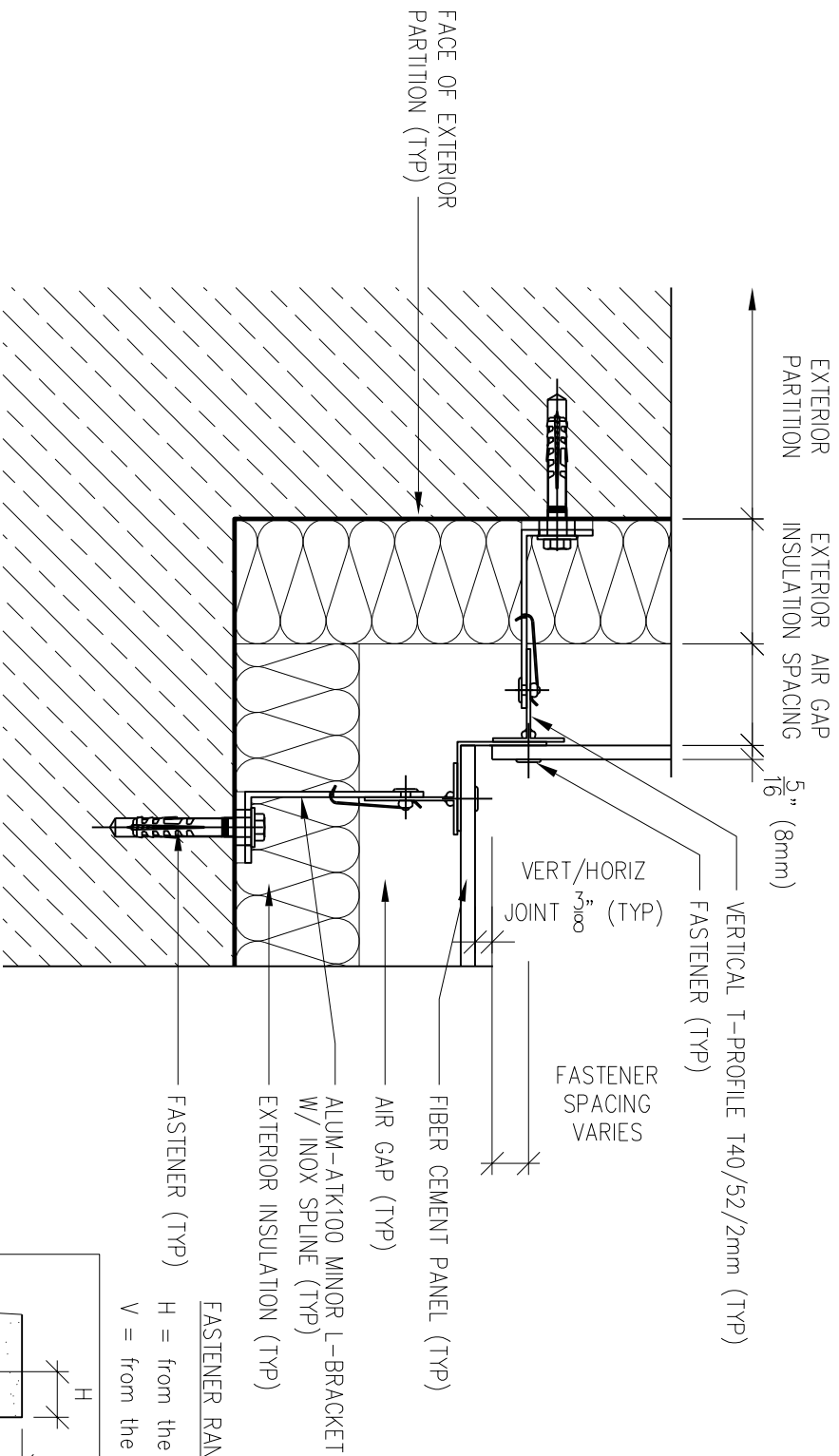
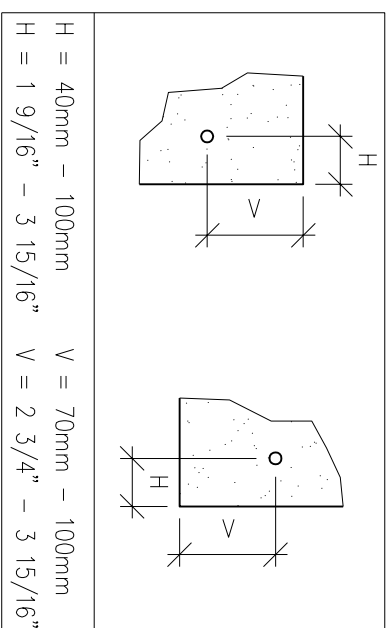


# Inside Corner Detail



**FASTENER RANGE:**  
 H = from the Horizontal edge  
 V = from the Vertical edge



Scale: 3"=1'-0"

NOTES:  
 1. PANEL VERTICAL AND HORIZONTAL JOINT SPACING SHOULD BE 3/8" TYPICAL.



**EASTERN ARCHITECTURAL PRODUCTS, LLC.**

213 Front Street - Zelenople, PA - 16063

1-(888) 5-PANELS

FAX: 1-(717) 939-4646

www.fiberacementproducts.com

Ref.: alum ATK100 minor in cor det

Date: 5/10/2009