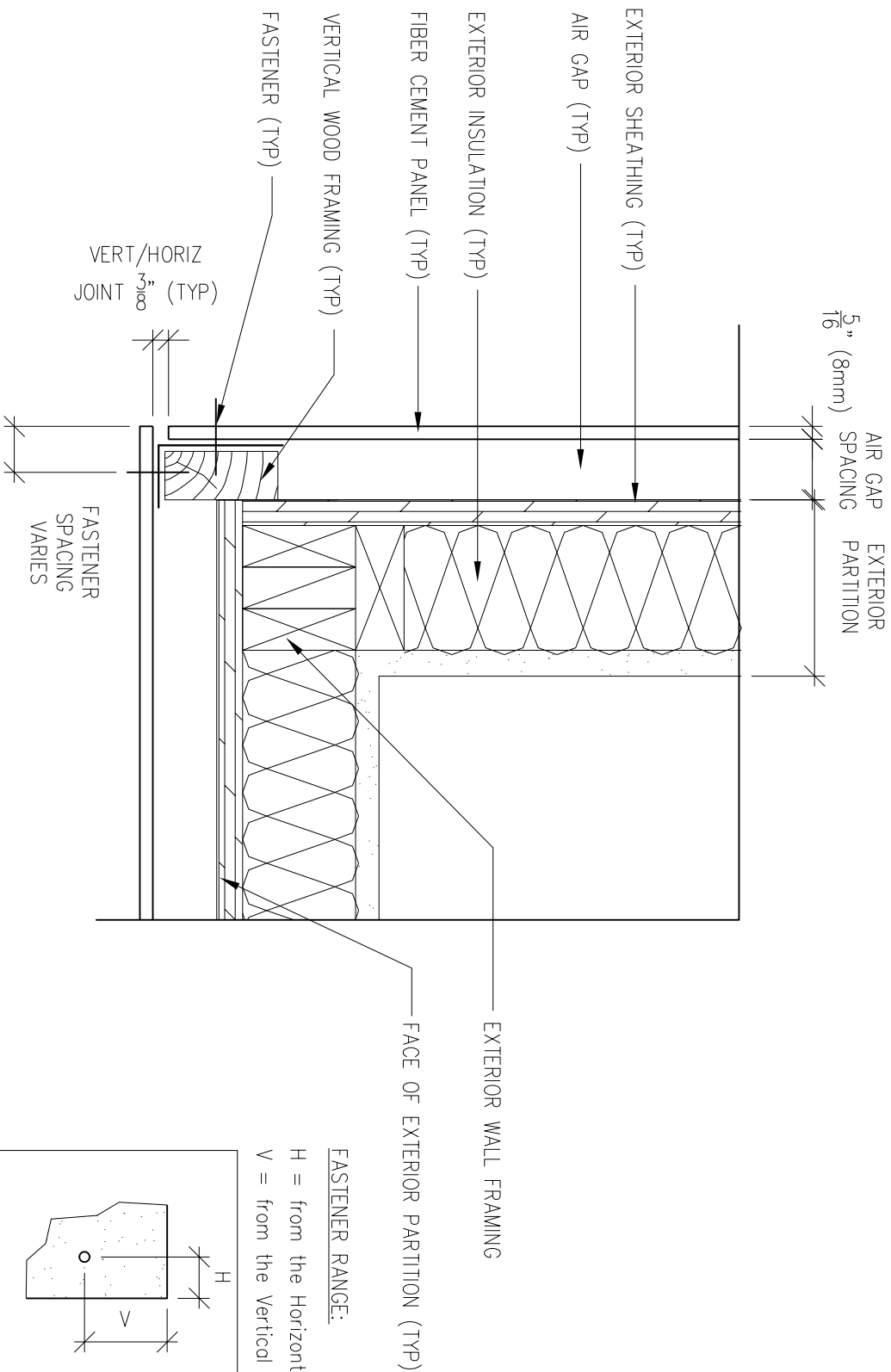
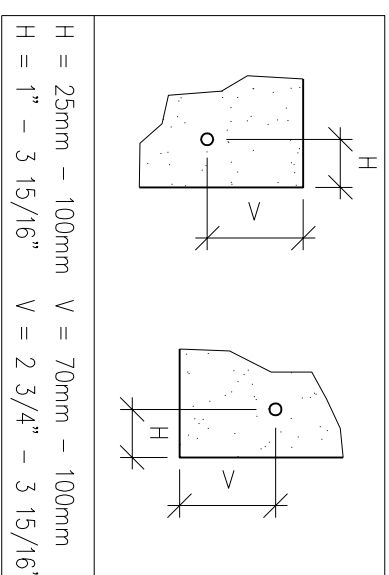


Outside Corner Detail 1



NOTES:
1. PANEL VERTICAL AND HORIZONTAL JOINT SPACING SHOULD BE 3/8" TYPICAL.

FASTENER RANGE:
H = from the Horizontal edge
V = from the Vertical edge



Scale: 3"=1'-0"



EASTERN ARCHITECTURAL PRODUCTS, LLC.

213 Front Street - Zellenople, PA - 16063
1-(888) 5-PANELS FAX: 1-(717) 939-4646 www.fiberacementproducts.com

Ref.: outside corner detail for fastening to wood substrate

Date: 5/10/2009