

NOTES:

1. PANEL VERTICAL AND HORIZONTAL JOINT SPACING SHOULD BE $\frac{3}{8}$ " TYPICAL.



SCALE: 6"=1'-0"

EASTERN ARCHITECTURAL PRODUCTS, LLC.

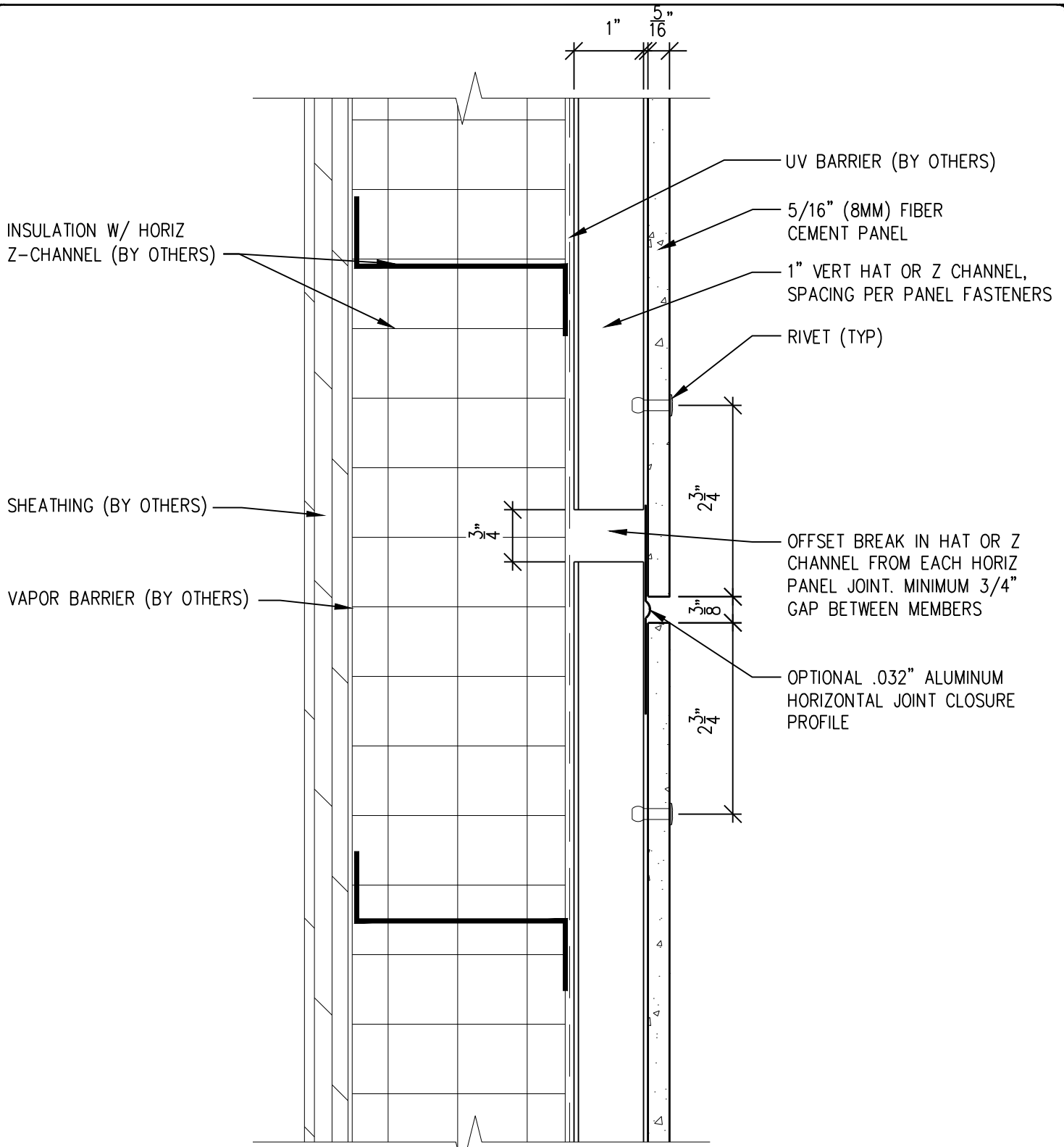


213 Front Street - Zelienople, PA - 16063
 1-(888) 5-PANELS FAX: 1-(717) 939-4646
 www.fibercementproducts.com

Ref.:

Typical Panel
 Base Detail

Date: 5/10/2009



INSULATION W/ HORIZ
Z-CHANNEL (BY OTHERS)

SHEATHING (BY OTHERS)

VAPOR BARRIER (BY OTHERS)

UV BARRIER (BY OTHERS)

5/16" (8MM) FIBER
CEMENT PANEL

1" VERT HAT OR Z CHANNEL,
SPACING PER PANEL FASTENERS

RIVET (TYP)

OFFSET BREAK IN HAT OR Z
CHANNEL FROM EACH HORIZ
PANEL JOINT. MINIMUM 3/4"
GAP BETWEEN MEMBERS

OPTIONAL .032" ALUMINUM
HORIZONTAL JOINT CLOSURE
PROFILE

0 1" 2" 3" 4" 5" 6"



SCALE: 6"=1'-0"

NOTES:

1. PANEL VERTICAL AND HORIZONTAL JOINT SPACING SHOULD BE 3/8" TYPICAL.

EASTERN ARCHITECTURAL PRODUCTS, LLC.

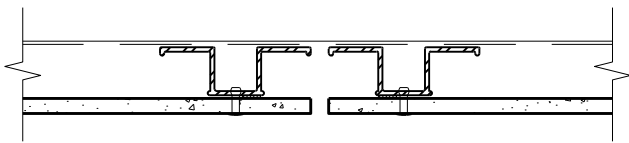
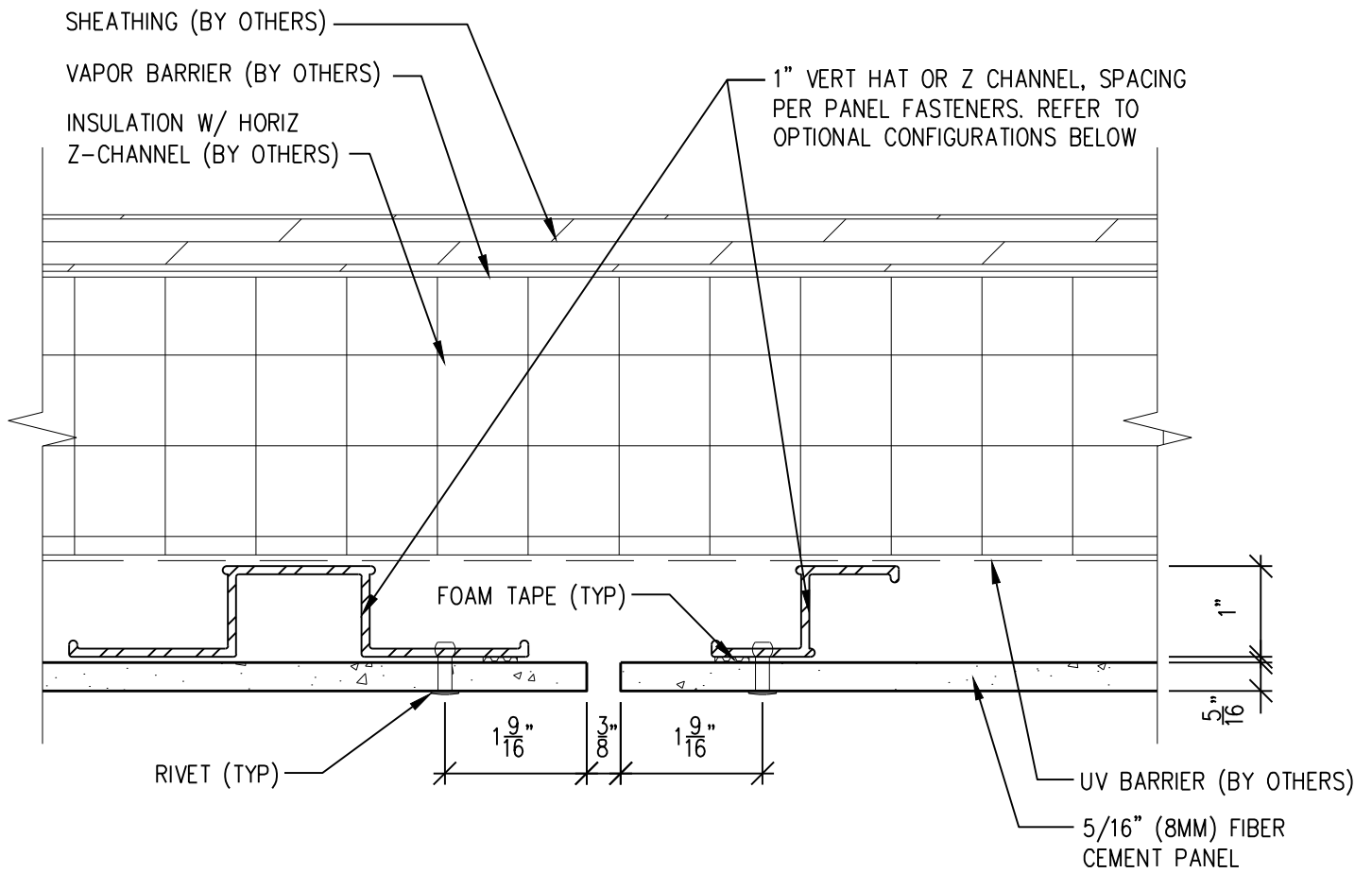


213 Front Street - Zelienople, PA - 16063
1-(888) 5-PANELS FAX: 1-(717) 939-4646
www.fibercementproducts.com

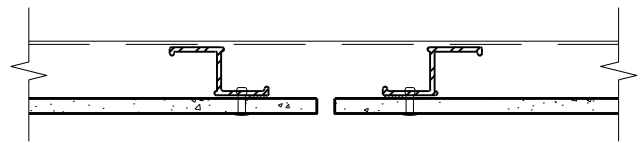
Ref.:

Typical Horizontal
Panel Joint Detail

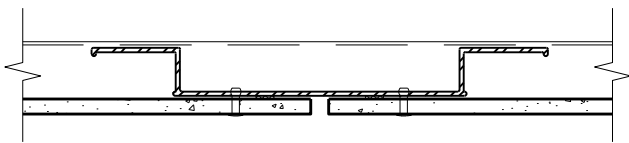
Date: 5/10/2009



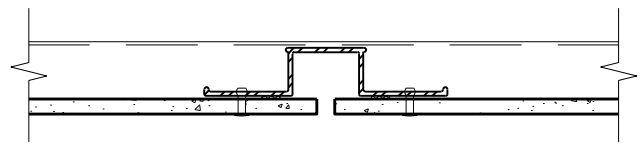
OPTION #1



OPTION #2



OPTION #3



OPTION #4



SCALE: 6"=1'-0"

NOTES:

1. PANEL VERTICAL AND HORIZONTAL JOINT SPACING SHOULD BE 3/8" TYPICAL.

EASTERN ARCHITECTURAL PRODUCTS, LLC.

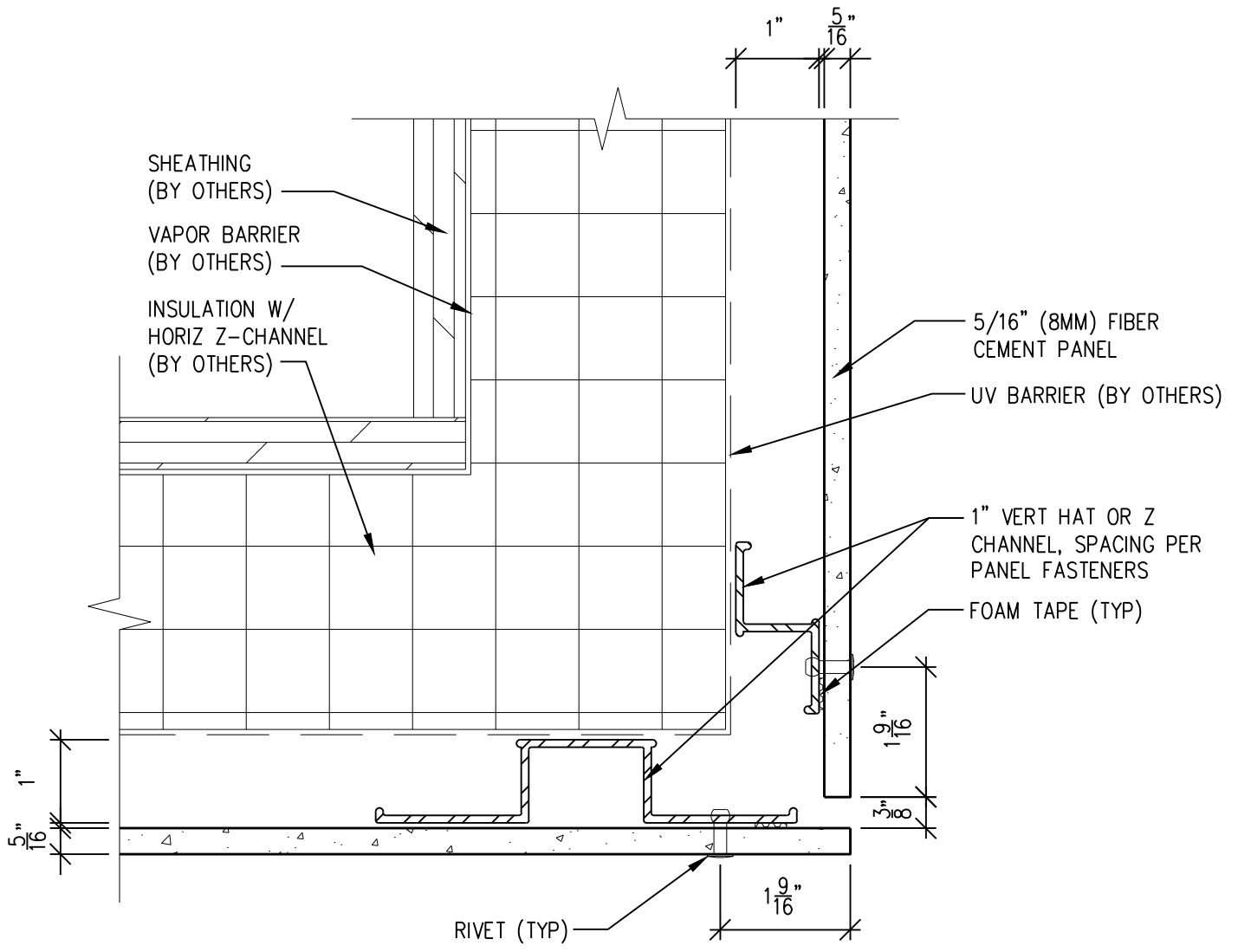


213 Front Street - Zelienople, PA - 16063
 1-(888) 5-PANELS FAX: 1-(717) 939-4646
 www.fibercementproducts.com

Ref.:

Typical Vertical
 Panel Joint Detail

Date: 5/10/2009



NOTES:

1. PANEL VERTICAL AND HORIZONTAL JOINT SPACING SHOULD BE 3/8" TYPICAL.



SCALE: 6" = 1' - 0"

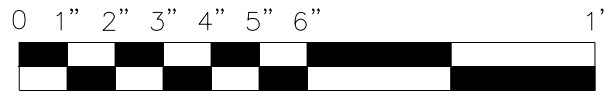
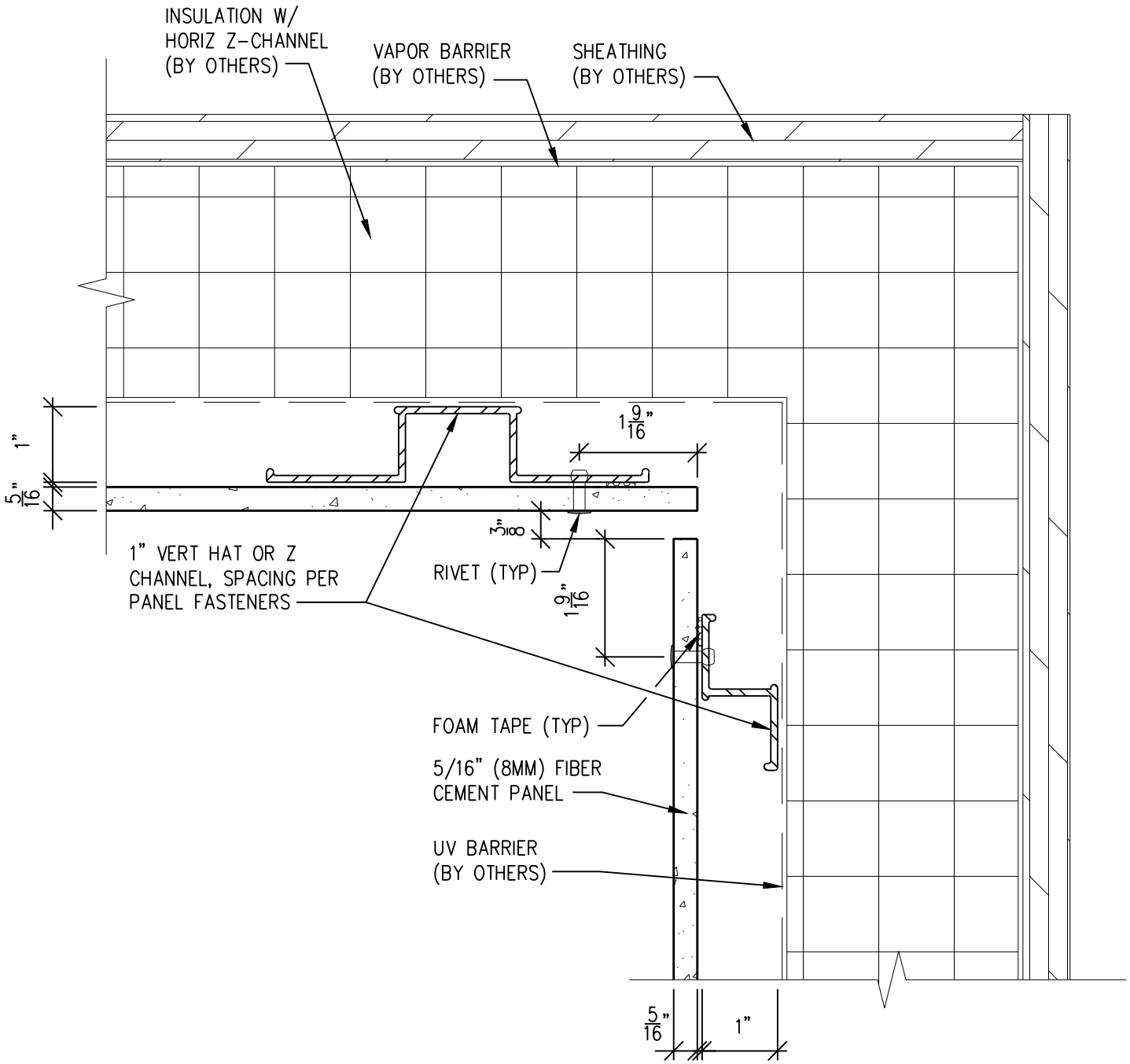
EASTERN ARCHITECTURAL PRODUCTS, LLC.



213 Front Street - Zelienople, PA - 16063
 1-(888) 5-PANELS FAX: 1-(717) 939-4646
 www.fibercementproducts.com

Ref.:
**Typical Outside
 Corner Detail**

Date: 5/10/2009



SCALE: 6"=1'-0"

NOTES:

1. PANEL VERTICAL AND HORIZONTAL JOINT SPACING SHOULD BE 3/8" TYPICAL.

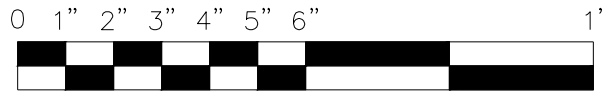
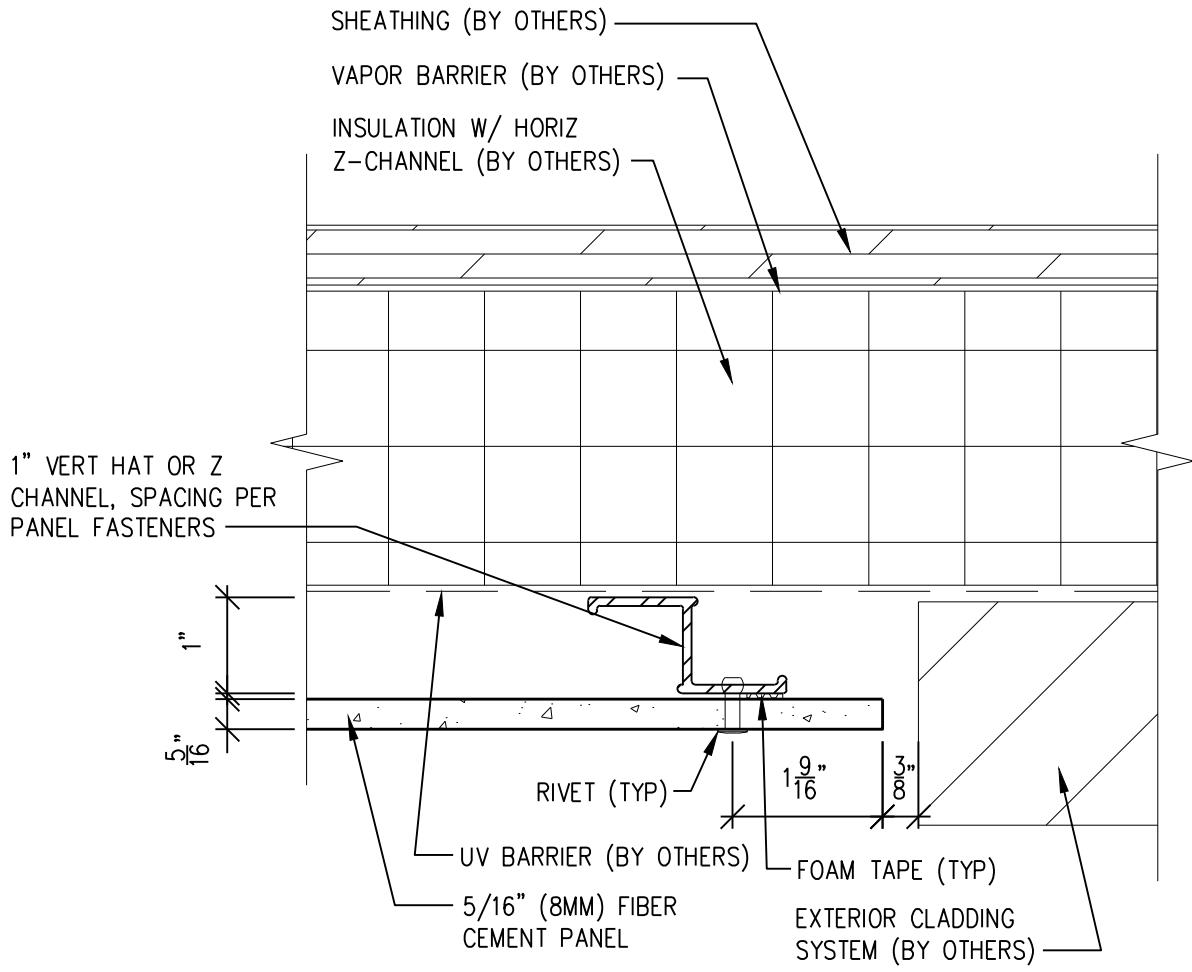
EASTERN ARCHITECTURAL PRODUCTS, LLC.



213 Front Street - Zelienople, PA - 16063
 1-(888) 5-PANELS FAX: 1-(717) 939-4646
 www.fibercementproducts.com

Ref.:
 Typical Inside
 Corner Detail

Date: 5/10/2009



SCALE: 6"=1'-0"

NOTES:

1. PANEL VERTICAL AND HORIZONTAL JOINT SPACING SHOULD BE 3/8" TYPICAL.

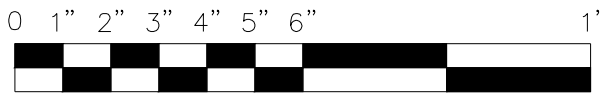
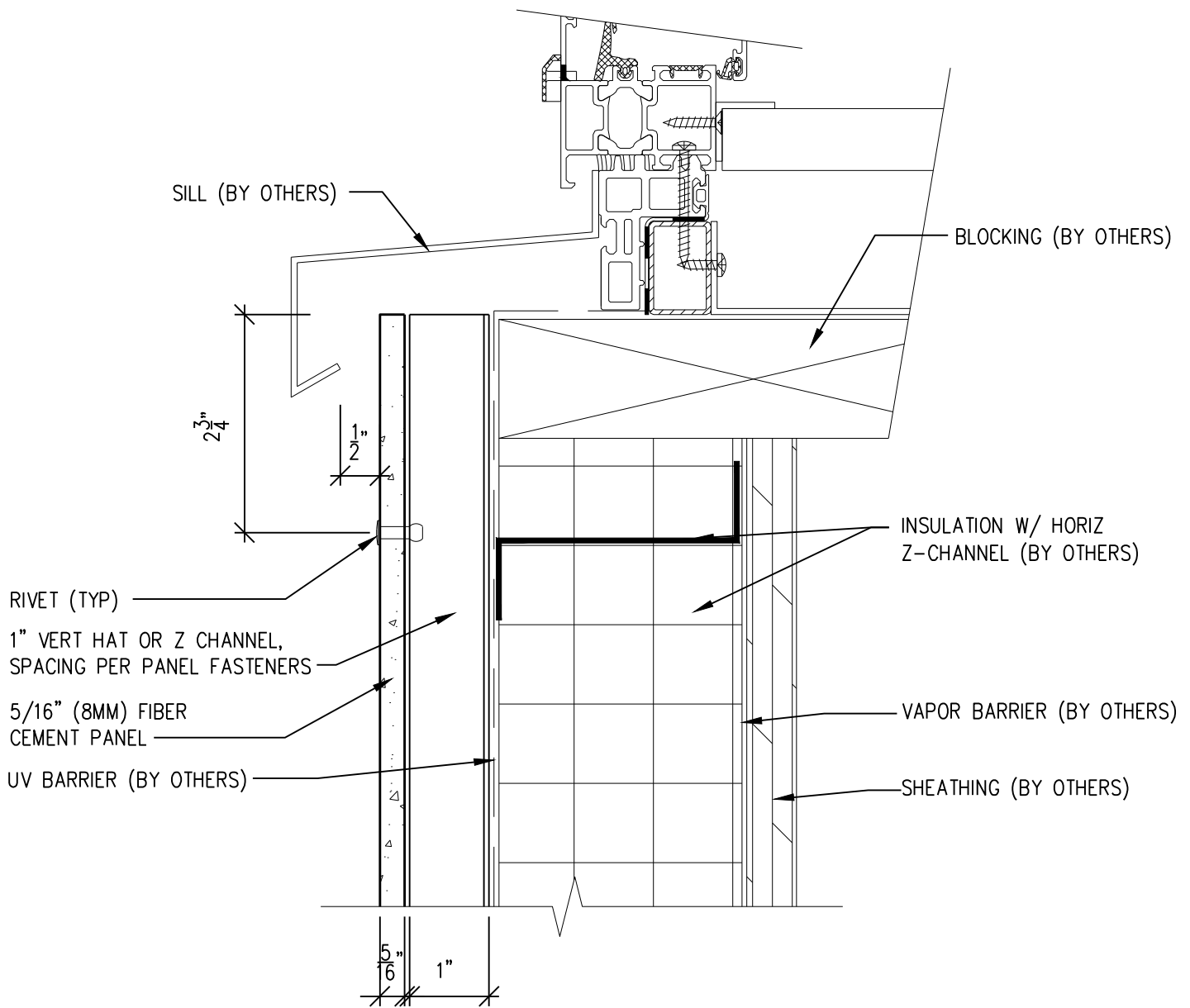
EASTERN ARCHITECTURAL PRODUCTS, LLC.



213 Front Street - Zelienople, PA - 16063
 1-(888) 5-PANELS FAX: 1-(717) 939-4646
 www.fibercementproducts.com

Ref.:
**Typical Butt
 Joint Detail**

Date: 5/10/2009



SCALE: 6"=1'-0"

NOTES:

- 1. PANEL VERTICAL AND HORIZONTAL JOINT SPACING SHOULD BE 3/8" TYPICAL.

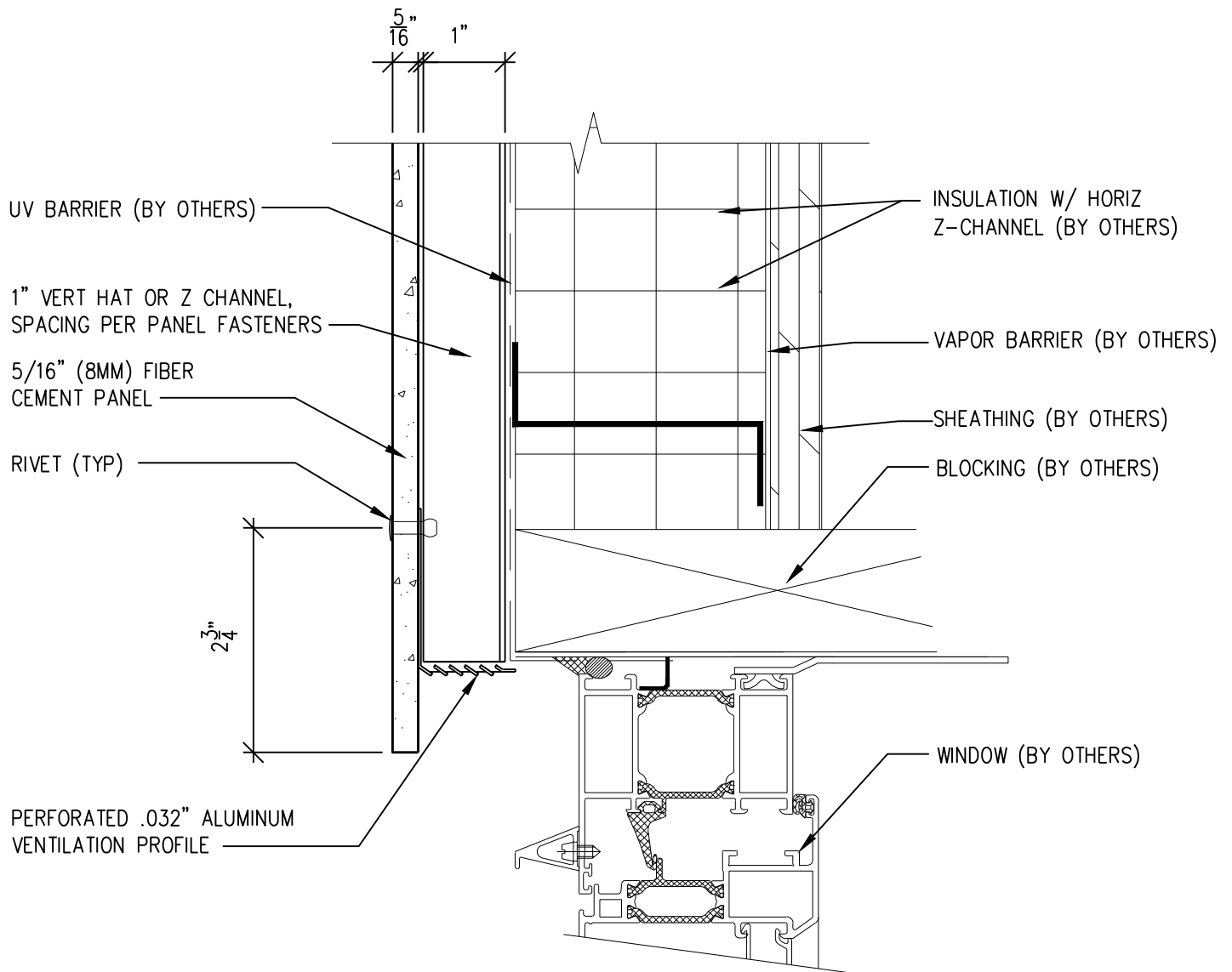
EASTERN ARCHITECTURAL PRODUCTS, LLC.



213 Front Street - Zelienople, PA - 16063
 1-(888) 5-PANELS FAX: 1-(717) 939-4646
 www.fibercementproducts.com

Ref.:
 Typical Window
 Sill Detail

Date: 5/10/2009



SCALE: 6"=1'-0"

NOTES:

1. PANEL VERTICAL AND HORIZONTAL JOINT SPACING SHOULD BE 3/8" TYPICAL.

EASTERN ARCHITECTURAL PRODUCTS, LLC.

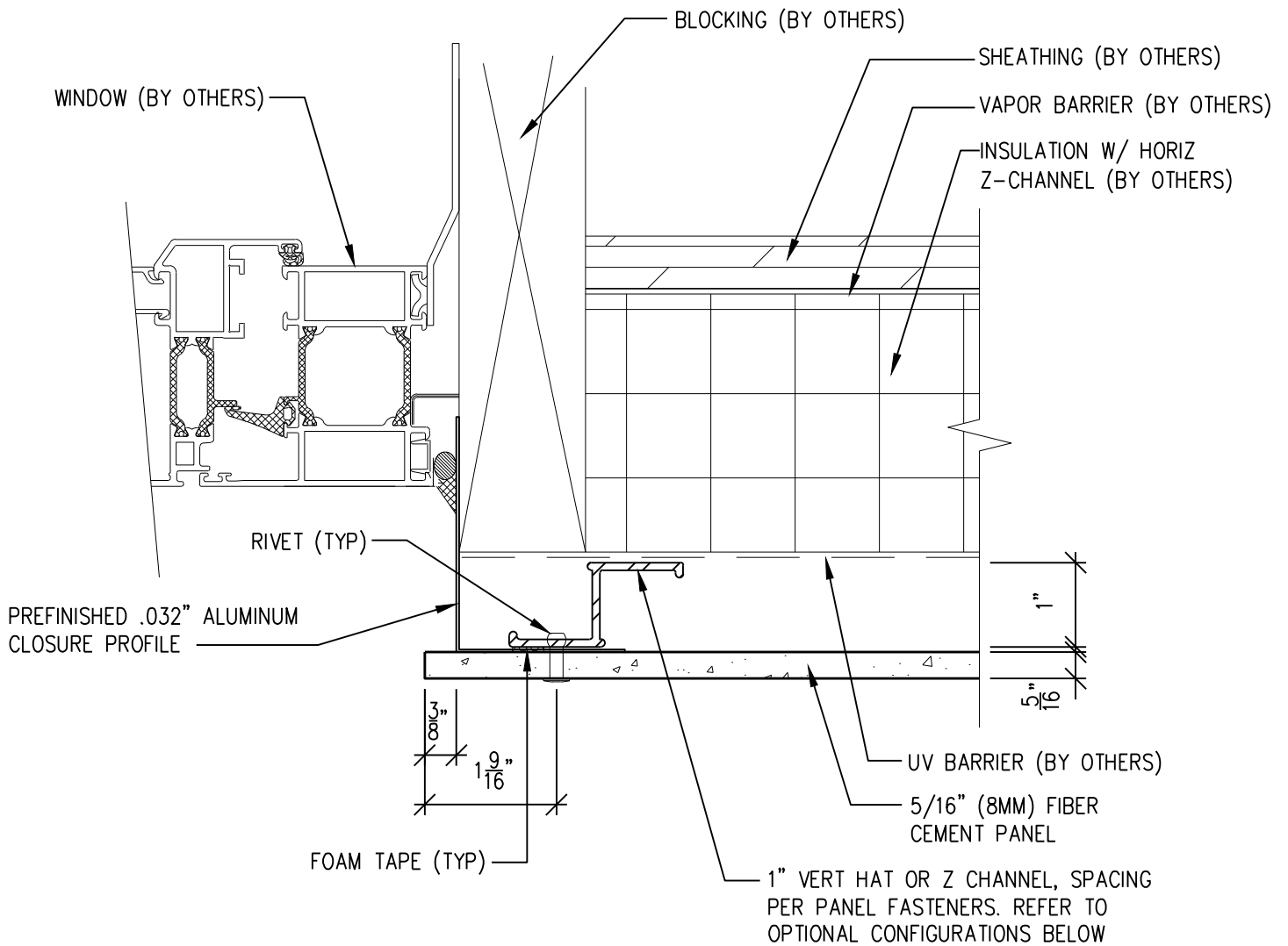


213 Front Street - Zelienople, PA - 16063
 1-(888) 5-PANELS FAX: 1-(717) 939-4646
 www.fibercementproducts.com

Ref.:

Typical Window
 Head Detail

Date: 5/10/2009



SCALE: 6"=1'-0"

NOTES:

1. PANEL VERTICAL AND HORIZONTAL JOINT SPACING SHOULD BE 3/8" TYPICAL.

EASTERN ARCHITECTURAL PRODUCTS, LLC.

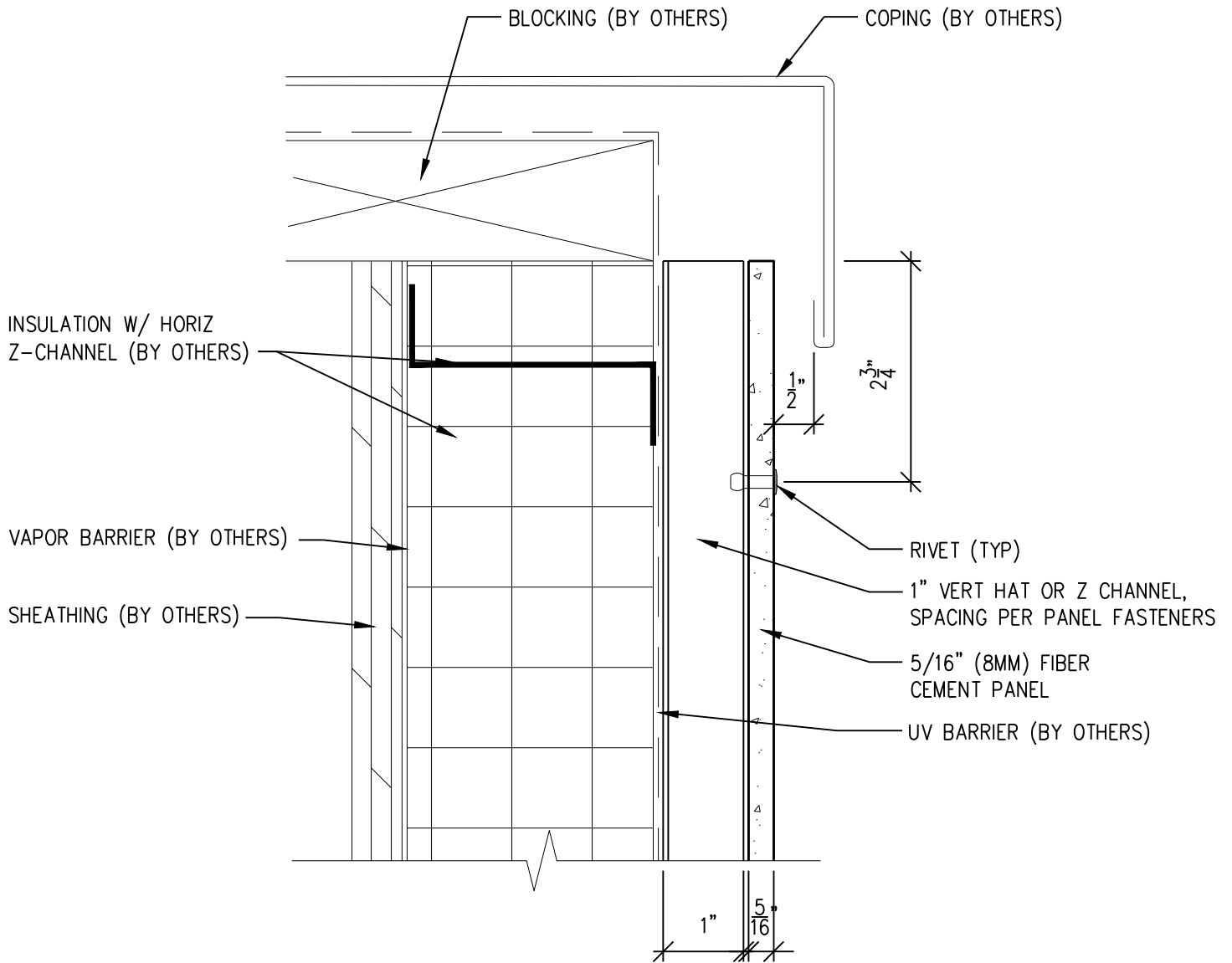


213 Front Street - Zelienople, PA - 16063
 1-(888) 5-PANELS FAX: 1-(717) 939-4646
 www.fibercementproducts.com

Ref.:

Typical Window
 Jamb Detail

Date: 5/10/2009



SCALE: 6"=1'-0"

NOTES:

1. PANEL VERTICAL AND HORIZONTAL JOINT SPACING SHOULD BE 3/8" TYPICAL.

EASTERN ARCHITECTURAL PRODUCTS, LLC.



213 Front Street - Zelienople, PA - 16063
 1-(888) 5-PANELS FAX: 1-(717) 939-4646
 www.fibercementproducts.com

Ref.:

Typical Coping
 Panel Detail

Date: 5/10/2009